

9

Lighting Regulations

Intent: The Lighting Regulations contained in this Article are intended to provide for the erection, design, or placement of outdoor light fixtures which provide for illumination levels on individual *lots* which are adequate for the safe and efficient movement of individuals or vehicles to and from a *lot* and within a *lot* (i.e., areas that are dangerous if unlit, such as stairs, intersections or changes in grade). Lighting regulations are designed to protect against the spillover of light onto abutting properties which may negatively impact occupants of abutting properties, and are designed to protect against objectionable glare onto public rights-of-way which may impair the vision of motorists.

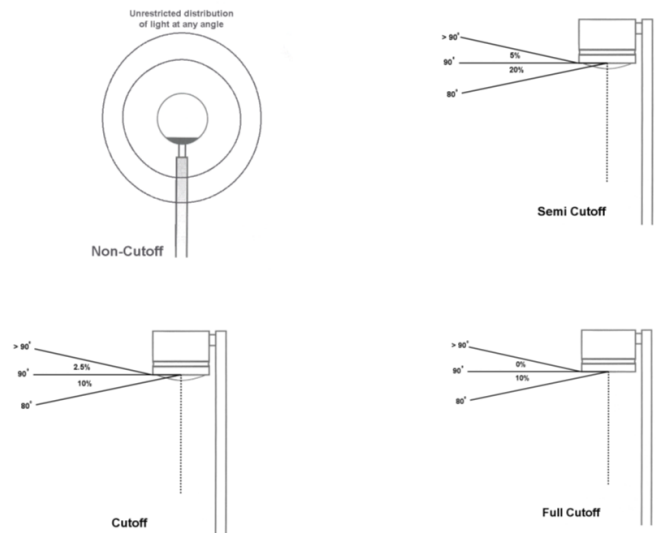
9.02 General Requirements

All outdoor light fixtures on a *lot* shall comply with the following regulations:

- (A) **Applicability.** The Lighting Regulations contained in this Article shall apply to the development of all property within the Town.
- (B) **Minimum Setback.** Notwithstanding anything in this Ordinance to the contrary, a freestanding outdoor light fixture may be located within a required front, side or rear yard setback.
- (C) **Lighting Standards.** Outdoor light fixtures shall comply with the standards set forth in Table 9.01 Lighting Standards.

District	Type of Fixture	Maximum Combined Height of Pole and Base	Maximum Wattage
All Districts	<i>Non cutoff</i> ⁽¹⁾	20'	100
	<i>Semi cutoff</i>	30'	400
	<i>Cutoff</i>	35'	400
	<i>Full cutoff</i>	40'	1,000

⁽¹⁾ *Non-cutoff* outdoor light fixtures shall be limited to locations along walkways, driveways, interior access drives, interior access driveways and outdoor seating areas



- (D) **Mounting of Fixtures (except in Industrial Districts).** *Full cutoff*, *cutoff* and *semi-cutoff* outdoor light fixtures shall be mounted parallel to the ground and shall utilize a rigid mounting arm with no built-in uptilt and no adjustment feature.
- (E) **Height of Fixtures.** All outdoor light fixtures used to illuminate a particular area on a *lot* (i.e., a parking area; a loading area; or, an entry way, sidewalk or walkway areas) shall, within those areas, be of uniform size, design and height.

- (F) Power Supply. Outdoor light fixtures located on light poles shall be provided power by underground wiring.
- (G) Wall Pack Lights. Wall pack outdoor light fixtures shall be subject to the following regulations:
- (1) Except in the Industrial District, wall pack outdoor light fixtures located on a front or side elevations of a building or structure shall be *full cutoff*.
 - (2) Wall pack outdoor light fixtures oriented toward a residential use or an abutting residential *district* shall be *full cutoff*.
 - (3) Low intensity (i.e., 100 watts or less), architectural style wall pack outdoor light fixtures (which may be *cutoff*, *semi cutoff* or *non cutoff*) may be used to accent architectural elements of the building or structure or to illuminate entrance areas.
- (H) Vehicular Canopy Light Fixtures. Outdoor light fixtures located under a vehicular canopy of drive through structures (e.g., gasoline service station canopies, bank drive through canopies, etc.) shall be *full cutoff* fixtures with a maximum intensity of four hundred (400) watts.
- (I) Awning and Canopy Lighting. Awnings and canopies used for building accents over doors, windows, walkways, and the like, may be internally illuminated or back-lit (i.e., lit from underneath or behind) provided, however, that the primary material is opaque and that translucent material is limited to the actual text or logo of the sign, if any, incorporated into the awning or canopy.
- (J) Glare on Public Right-of-Way. Flag and statue lights, architectural lights, floodlights, or sign lighting shall be so directed and shielded that the light element is not visible from any point along an adjacent public right-of-way.
- (K) Floodlights. Outdoor light fixtures equipped with floodlights may only be permitted on a *lot* as follows:
- (1) Floodlights shall be focused on the primary building or the area of the *lot* located between the floodlight and the primary building; or,
 - (2) Floodlights shall be shielded to the extent that the main beam from the luminaire is not visible from or causes any glare onto adjacent properties or rights-of-way.
- (L) Lighting Plans. The following information, at a minimum, shall be provided for all lighting plans submitted in connection with an application for an improvement location permit except for those associated with single family and two-family residential development:
- (1) A site plan which includes the outline of buildings, structures and other improvements (e.g., parking areas, loading areas, interior access drives, etc.) on the *lot* and the location of all outdoor light fixtures.

- (2) A description of the outdoor light fixtures, including but not limited to manufacturers or electric utility catalog specifications sheets, drawings or photometric report, which indicate:
 - (a) the outdoor light fixture classification (e.g., *cutoff*, *semi-cutoff*, *full cutoff*, or *non-cutoff*);
 - (b) mounting height of freestanding outdoor light fixtures; and,
 - (c) wattage proposed for each outdoor light fixture.

9.03 Special Regulations for Sport and Athletic Field Lights

Notwithstanding anything in this Section to the contrary, freestanding sport and athletic field lights and fixtures shall not exceed one-hundred and ten (110) feet in height above grade, and shall be of a type and manufacturer that offers a spill and glare control package, and fitted with the manufacturer's spill and glare control package.

9.04 Exempt Lights

- (A) Holiday Decorations. Outdoor light fixtures used for holiday decorations.
- (B) Public Lighting. All outdoor light fixtures originating from public areas and ways, including but not limited to parks, rights-of-way, public art or other public facilities, that are installed for the benefit of the public health, safety and welfare.
- (C) Fossil Fuel Lights. All outdoor light fixtures producing light directly from the combustion of fossil fuels (i.e., kerosene lanterns or gas lamps).
- (D) Construction / Emergency Lighting. All outdoor light fixtures provided in connection with construction work or the abatement of an emergency situation necessitating said lighting, provided that the use of such outdoor light fixtures are discontinued during hours when construction activity or emergency abatement is not in progress and that such outdoor light fixtures are removed upon completion of the construction activity or the abatement of the emergency.

9.05 Temporary Lights

- (A) The following types of temporary outdoor light fixtures may be approved on a temporary basis by the *Zoning Administrator* prior to placement or use.
 - (1) Civic Events. Temporary outdoor light fixtures used for civic events.
 - (2) Special Events. Temporary outdoor lighting fixtures for such activities as circuses, fairs, carnivals, sporting events, and the like.



9

Lighting Regulations

- (A) Such temporary lights shall not be installed more than thirty (30) days prior to the civic event or special event and shall be removed not more than fifteen (15) days after the civic event or special event.
- (B) Searchlights. Notwithstanding anything contained in sub-Section 9.06 Prohibited Lights, below, to the contrary, temporary outdoor light fixtures used in connection with a civic event or special event may include one (1) portable, rotating searchlight provided, however, that such temporary outdoor light fixture:
 - (1) Shall not be permitted for more than three (3) occurrences during a calendar year;
 - (2) Shall not be used for a period of more than two (2) consecutive days during a civic event or special event;
 - (3) Shall not be operated between the hours of 12:00 midnight and 8:00 a.m.; and,
 - (4) Shall otherwise comply with all other applicable provisions of this Section.

9.06 Prohibited Lights

- (A) Flashing Lights. Any lights that flash, move, revolve, rotate, scintillate, blink, flicker, vary in intensity or color, or use intermittent electrical pulsation.
- (B) Floodlights. Floodlights not in compliance with the regulations set forth above, or other form of outdoor light fixtures not specifically authorized by this Section (including but not limited to stringer lights), that are ground mounted or attached to light poles, and used to illuminate the site, buildings or structures.
- (C) Outdoor Strings of Lights. Outdoor strings of lights, including but not limited to those used to outline *lot* lines or outdoor display areas, provided, however, outdoor strings of lights may be allowed when complying with sub-Section 9.04 (A) Holiday Decorations, above.

